

MK043E-20DT HMI with Integrated PLC

Kinco

FEATURES

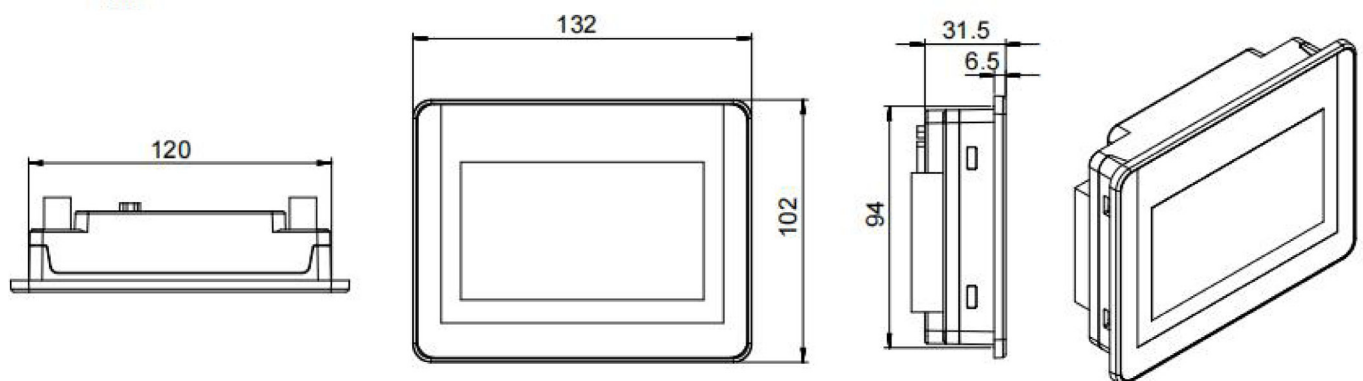
- **256K Colors**
- **LCD Lifetime up to 50,000 Hours**
- **480x272 Pixels**
- **4.3" LCD Display Screen**
- **HMI and PLC are attached**
- **IP65 Protection Level on Front Panel**
- **24 VDC Input Voltage**
- **Backlight LED**
- **128MB Flash and 64MB DDR2 Memory**
- **Communication Ports: USB2.0, RS485**



DESCRIPTION

The MK043E-20DT HMI with integrated PLC provides a reliable system to help your application run smoothly and efficiently. This HMI/PLC combination features a 256K color display mode that enhances your touch screen with rich color and incomparable resolution. The IP65-rated front screen is protected against dust ingress and may be subjected to low-pressure water jets. On the backside, the PLC is directly attached and integrated into the same package with the HMI. The PLC provides special I/O functions, a USB2.0 (USB-B Connector) programming port, four high-speed counters, four high-speed outputs, two RS485 communication/serial port(s), model dependent, integrated digital input and output channels, and more. Built-in high-speed pulse outputs can reach a maximum frequency of 50 KHz. KincoBuilder software provides absolute and relative positioning, homing, jogging, and quick stop instructions for programming the PLC functions, while DTools software is a convenient and powerful configuration software that allows the user to create first-class, efficient programs for the HMI. KincoBuilder and DTools software are both required to operate this integrated device, and are available for free on our website. With a quick and easy set-up, the MK043E-20DT series is an intelligent choice for users who need the functionality of an HMI and PLC in one powerful, streamlined package.

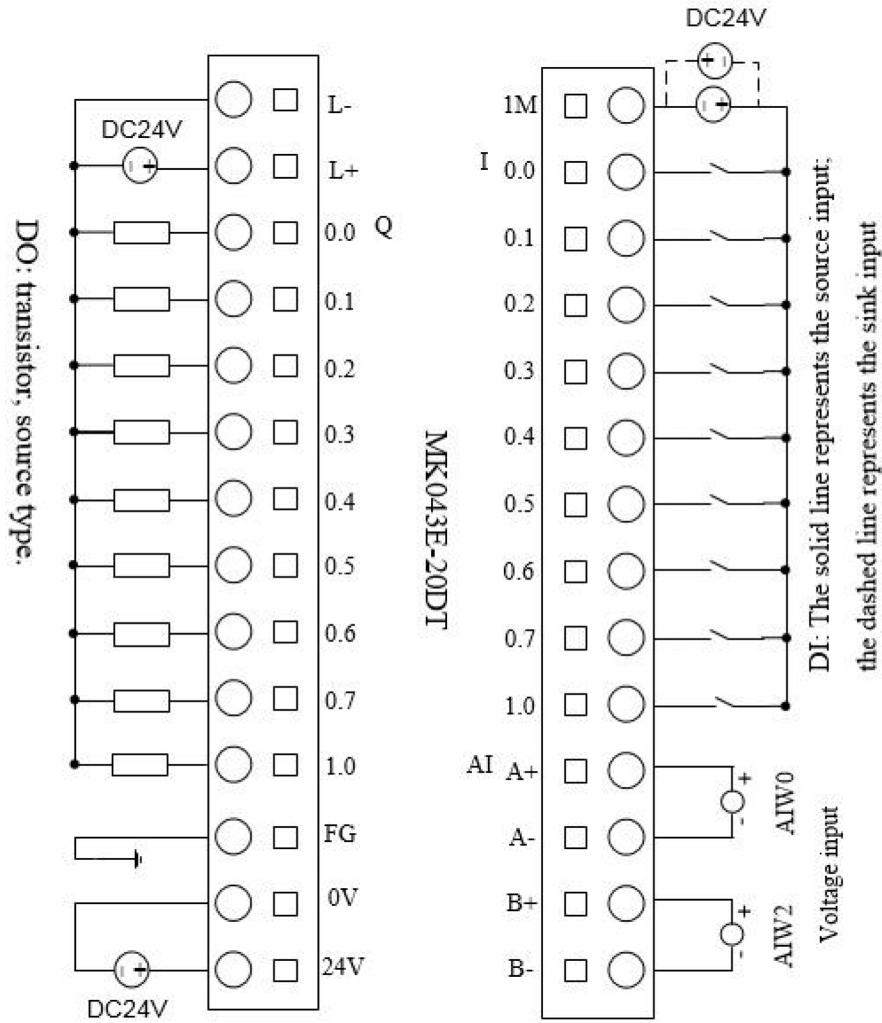
DIMENSIONS



Units are in mm

L011944

MK043E-20DT



RS485/CAN
(in DB9)

	FUNCTION	PIN
Port 1	A	6
	B	1
Port 2	A	9
	B	4
CAN	CANH	7
	CANL	2
GND	GND	5

MK043E-20DT HMI with Integrated PLC



SPECIFICATIONS

Performance Specification	MK043E-20DT
Display	4.3" TFT
Resolution	480x272 Pixels
Color	256K Colors
Backlight	LED
Brightness	400 cd/m ²
Backlight Life	50,000 Hrs
Touch Panel	4-Wire Precision Resistance Network
Processor	700 MHz RISC
Memory	128MB Flash + 64MB DDR2
Expandable Memory	1 USB Host
Recipe Memory & RTC	256KB + RTC
Program Download	1 USB Slave / Ethernet / USB Flash Disk
Serial / COM Port	2*RS485 PORT1, PORT2, max. 115.2kbps PORT 1 supports Kinco programming protocol, MODBUS RTU master and slave protocol, free serial protocol. PORT 2 supports MODBUS RTU master and slave protocol, free serial protocol.
Built-in Digital Points	9*DI / 9*DO
Built-in Analog Points	2*AI (only support voltage type)
Expansion Modules	Supports up to 8 KS Series Expansion Modules.
Electrical Specification	
Rated Power	10W
Rated Voltage	24 VDC
Voltage Range	DC 20.4V - 28.8V
Structure Specification	
Dimensions(mm)	132 x 102 x 31.5
Cutout Size(mm)	119 x 93
Weight (lbs)	
Environment Specification	
Operating Temperature	0°~ +50° C
Operating Humidity	10~90% Non-Condensing
Storage Temperature	-10°~ +60° C
Storage Humidity	10~90% Non-Condensing
Cooling Method	Natural Air Cooling
Certification	
Degree of Protection	IP65 (Front Panel)